



IQS9150EV02 USER GUIDE

IQ Switch® - ProxSense® Series





Table of Contents

IQS9150EV02 USER GUIDE	1
1 INTRODUCTION	3
2 SETTING UP THE IQS9150 TRACKPAD MODULE.....	4
3 FINGER GUIDES	5
3.1 NUMPAD	5
3.2 MIXER	7
3.3 JOYPAD	8
4 TRACKPAD MODULE DESIGN	9



1 Introduction

This user guide describes the operation of the IQS9150EV02 evaluation kit. The EV-Kit consists of three parts:

- > IQS9150 trackpad x 1
- > 3D printed virtual sensor finger guides x 3
- > CT210A x 1

To visualise all sensor data from the EV-Kit, the module board can be interfaced to any Windows PC with USB support, along with the CT210A and the relevant IQS9150 Graphical User Interface software (GUI) available to download from the Azoteq website. The purpose of the IQS9150EV02 EV-Kit is to help application and development engineers in evaluating the IC's capabilities. A picture of the trackpad module from the evaluation kit is shown below.



Download the GUI from Azoteq's website: <https://www.azoteq.com/product/iqs9150/>

The GUI can be found in the following section:

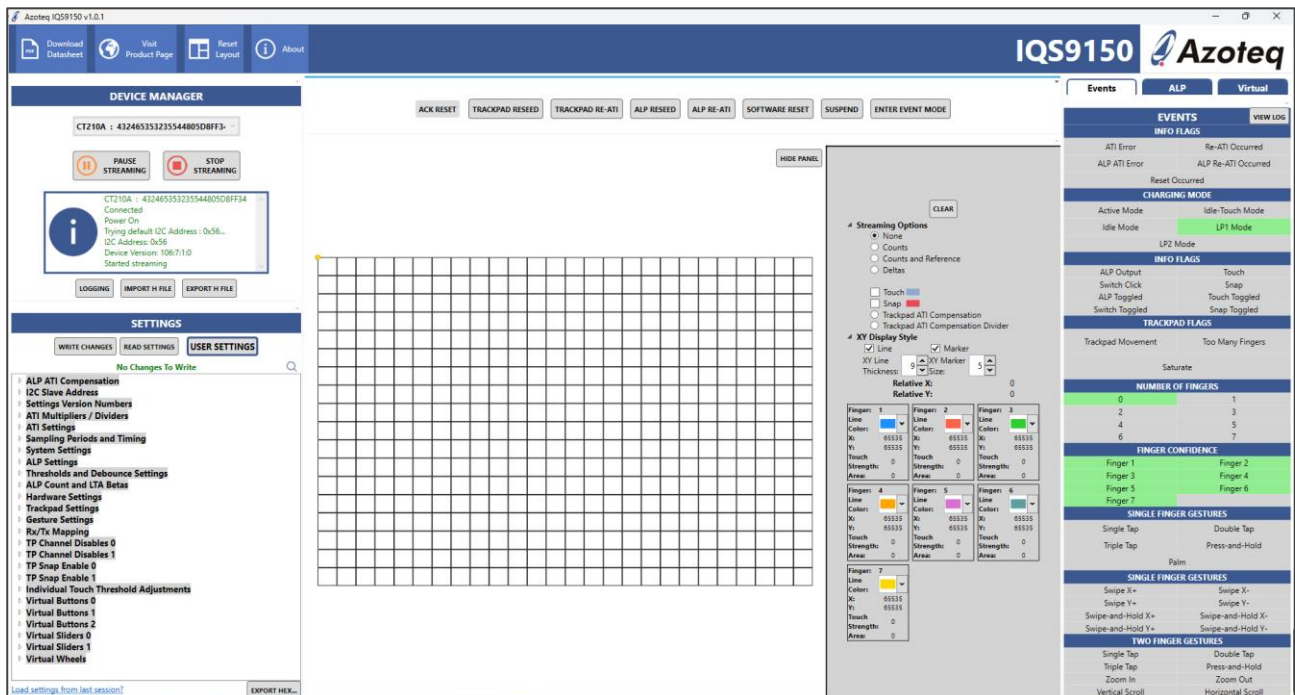
- > Design Support → Software
- > Click on the *IQS9150 Debug and Display Tool* hyperlink to download the GUI.
- > Install GUI on PC.
- > Connect the CT210A to the PC with a USB micro data cable.



2 Setting Up the IQS9150 Trackpad Module

To interface the IQS9150 trackpad module to a PC we advise using the CT210A. This module is set up in mutual capacitive mode. This EV-Kit can be set up with the following steps:

- > Plug the module into the CT210A via ribbon cable
- > Run the IQS9150 GUI
- > Click *START STREAMING* button
- > Data should now stream to the GUI
- > Click *ACK RESET* button
- > GUI should look as follow.



Please note the following items while evaluating the IQS9150 trackpad module:

- > Streaming channel data reduces the report rate of the trackpad, after evaluating the channel information (such as counts), it is recommended setting the Streaming Options to None.
- > The trackpad XY output will be plotted onto the central channel canvas area.
- > Numerous trackpad output and information, such as 1 and 2 finger gestures, can be seen on the 'Events' tab on the right side of the window.
- > When the system transitions to LP1 and LP2, the low-power channel is active. To visualise its' data, switch to the 'ALP' tab on the right panel.
- > To start adjusting/experimenting with the on-chip settings, press the *USER SETTINGS* button on the left side to open the pop-up settings window.
- > Note: To reset the module back to the predefined settings, simply press *STOP STREAMING* and then *START STREAMING*.
- > There is also a push button on the bottom side for the *Switch Click* status in the *Info Flags* section.

After evaluating click *STOP STREAMING* button.



3 Finger Guides

Three finger guides are added to the EV-Kit named:

- > Numpad
- > Mixer
- > Joypad

These can be slid over the trackpad module to superimpose virtual keys onto the trackpad area. The three different options are shown in this section. When switching between overlays, slide very slowly and carefully to not break the overlay.

3.1 Numpad



Click *START STREAMING* button to start data stream to PC.

Click *ACK RESET* button.

Click *USER SETTINGS* button to open Settings window.

Click on the Numpad picture button to load the predefined settings for this overlay.

Minimize “Settings” pop-up window.

Towards the right, below Azoteq logo, is the *Virtual* button, click to switch to this display.



It should look like the following picture:

Events	ALP	Virtual
EVENTS		VIEW LOG
BUTTON STATUS		
Button 0		Button 1
Button 2		Button 3
Button 4		Button 5
Button 6		Button 7
BUTTON STATUS		
Button 8		Button 9
Button 10		Button 11
Button 12		Button 13
Button 14		Button 15
VIRTUAL SLIDERS		
Slider 0 Finger 1	65535	
Slider 0 Finger 2	65535	
Slider 1 Finger 1	65535	
Slider 1 Finger 2	65535	
Slider 2 Finger 1	65535	
Slider 2 Finger 2	65535	
Slider 3 Finger 1	65535	
Slider 3 Finger 2	65535	
Slider 4 Finger 1	0	
Slider 4 Finger 2	0	
Slider 5 Finger 1	0	
Slider 5 Finger 2	0	
Slider 6 Finger 1	0	
Slider 6 Finger 2	0	
Slider 7 Finger 1	0	
Slider 7 Finger 2	0	
VIRTUAL WHEELS		
Wheel 0 Finger 1		0
Wheel 0 Finger 2		0
Wheel 1 Finger 1		0
Wheel 1 Finger 2		0
Wheel 2 Finger 1		0
Wheel 2 Finger 2		0
Wheel 3 Finger 1		0
Wheel 3 Finger 2		0

This tab shows the output status of the virtual buttons on the numpad, as well as the slider outputs for certain numpad keys that were implemented as sliders.

After evaluating click *STOP STREAMING* button.



3.2 Mixer



Click *START STREAMING* button to start data stream to PC.

Click *ACK RESET* button.

Click *USER SETTINGS* button to open Settings window.

Click on the Mixer picture button to load the predefined settings for this overlay.

Minimize “Settings” pop-up window.

Towards the right, below Azoteq logo, is the *Virtual* button, click to switch to this display.

The virtual buttons, sliders and wheel outputs are displayed on this tab.

Note that the sliders and wheels allow for up to 2 finger inputs simultaneously.

After evaluating click *STOP STREAMING* button.



3.3 Joypad



Click *START STREAMING* button to start data stream to PC.

Click *ACK RESET* button.

Click *USER SETTINGS* button to open Settings window.

Click on the Joypad picture button to load the predefined settings for this overlay.

Minimize “Settings” pop-up window.

Towards the right, below Azoteq logo, is the *Virtual* button, click to switch to this display.

The virtual buttons, sliders and wheel outputs are displayed on this tab.

Note that the sliders and wheels allow for up to 2 finger inputs simultaneously.

After evaluating click *STOP STREAMING* button.



4 Trackpad Module Design

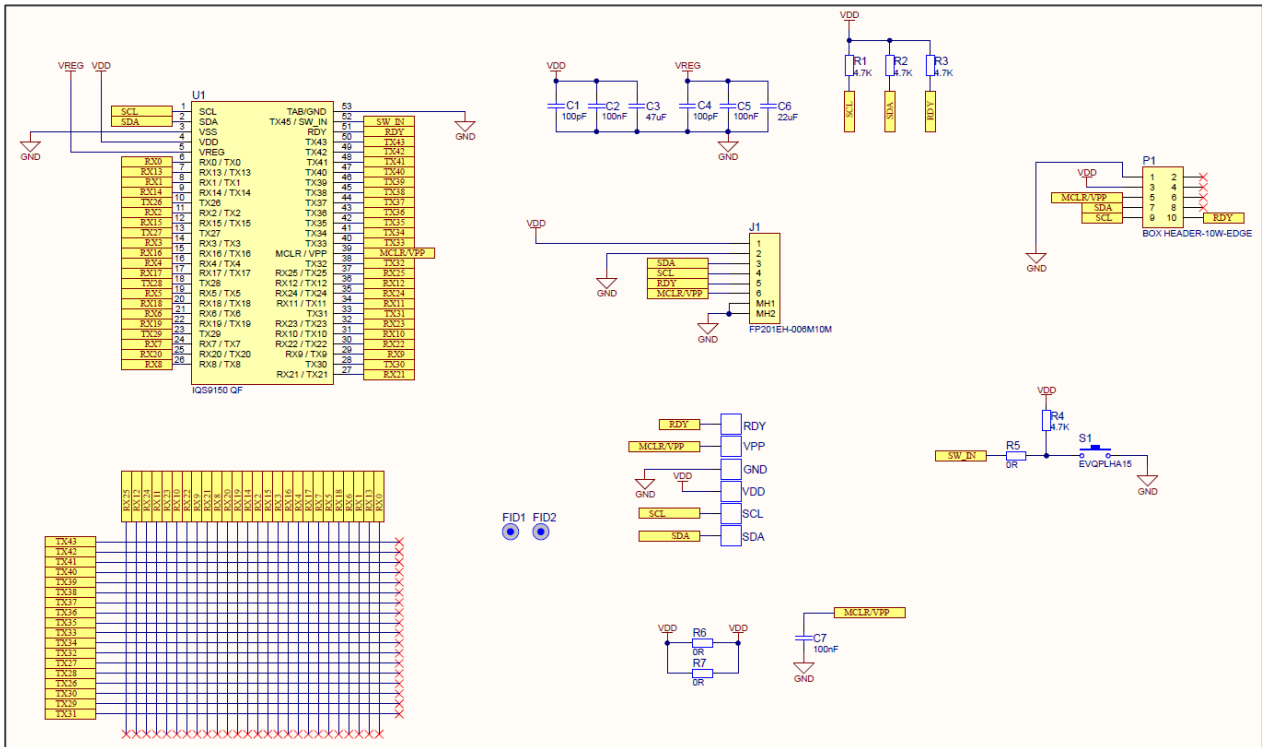


Figure 1 IQS9150 Trackpad Schematic




	USA	Asia	South Africa
Physical Address	11940 Jollyville Suite 120-S Austin TX 78750 USA	Room 501A, Block A, T-Share International Centre, Taoyuan Road, Nanshan District, Shenzhen, Guangdong, PRC	1 Bergsig Avenue Paarl 7646 South Africa
Postal Address	11940 Jollyville Suite 120-S Austin TX 78750 USA	Room 501A, Block A, T-Share International Centre, Taoyuan Road, Nanshan District, Shenzhen, Guangdong, PRC	PO Box 3534 Paarl 7620 South Africa
Tel	+1 512 538 1995	+86 755 8303 5294 ext 808	+27 21 863 0033
Email	info@azoteq.com	info@azoteq.com	info@azoteq.com

[Visit www.azoteq.com](http://www.azoteq.com)

for a list of distributors and worldwide representation.

Patents as listed on www.azoteq.com/patents-trademarks/ may relate to the device or usage of the device.

Azoteq®, Crystal Driver®, IQ Switch®, ProxSense®, ProxFusion®, LightSense™, SwipeSwitch™, and the  logo are trademarks of Azoteq.

The information in this Datasheet is believed to be accurate at the time of publication. Azoteq uses reasonable effort to maintain the information up-to-date and accurate, but does not warrant the accuracy, completeness or reliability of the information contained herein. All content and information are provided on an "as is" basis only, without any representations or warranties, express or implied, of any kind, including representations about the suitability of these products or information for any purpose. Azoteq disclaims all warranties and conditions with regard to these products and information, including but not limited to all implied warranties and conditions of merchantability, fitness for a particular purpose, title and non-infringement of any third party intellectual property rights. Azoteq assumes no liability for any damages or injury arising from any use of the information or the product or caused by, without limitation, failure of performance, error, omission, interruption, defect, delay in operation or transmission, even if Azoteq has been advised of the possibility of such damages. The applications mentioned herein are used solely for the purpose of illustration and Azoteq makes no warranty or representation that such applications will be suitable without further modification, nor recommends the use of its products for application that may present a risk to human life due to malfunction or otherwise. Azoteq products are not authorized for use as critical components in life support devices or systems. No licenses to patents are granted, implicitly, express or implied, by estoppel or otherwise, under any intellectual property rights. In the event that any of the abovementioned limitations or exclusions does not apply, it is agreed that Azoteq's total liability for all losses, damages and causes of action (in contract, tort (including without limitation, negligence) or otherwise) will not exceed the amount already paid by the customer for the products. Azoteq reserves the right to alter its products, to make corrections, deletions, modifications, enhancements, improvements and other changes to the content and information, its products, programs and services at any time or to move or discontinue any contents, products, programs or services without prior notification. For the most up-to-date information and binding Terms and Conditions please refer to www.azoteq.com.