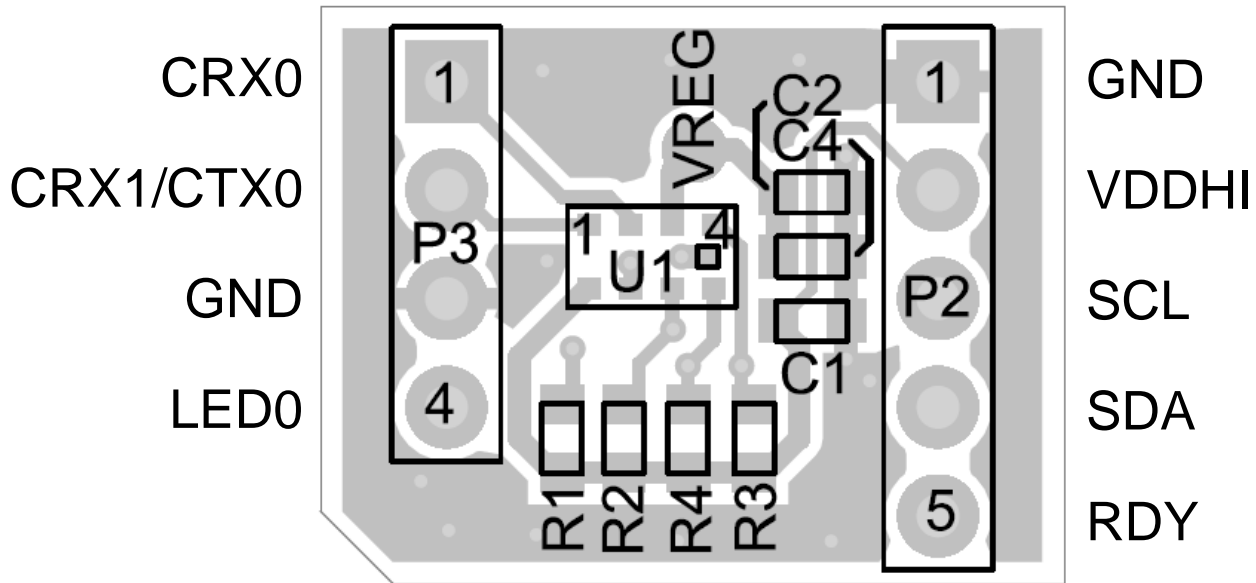




IQS622EV01 Quick Start

Combination sensor with ambient light sensing (ALS), active IR, Hall-effect and two-channel capacitive proximity/touch sensor



Uses:

- Self – Capacitive
- **Projected Capacitive**
- SAR (Quick Release)
- ALS (Basic)
- Active IR & On Ear
- Hall Switch

