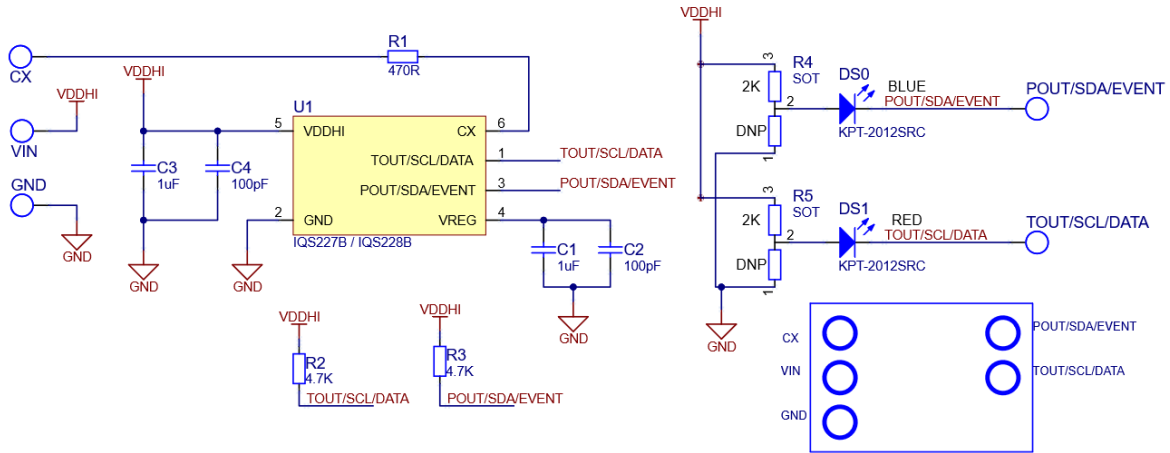




IQS227/8BEV01 Quick Start

1 IQS227B and IQS228B on AZP451A04



2 PC board



3 CT-Tool Connections

IQS227B IQS228B pins	Azoteq Configuration Tool
GND	1
VIN	3
POUT/DATA	7
TOUT/CLOCK	9

