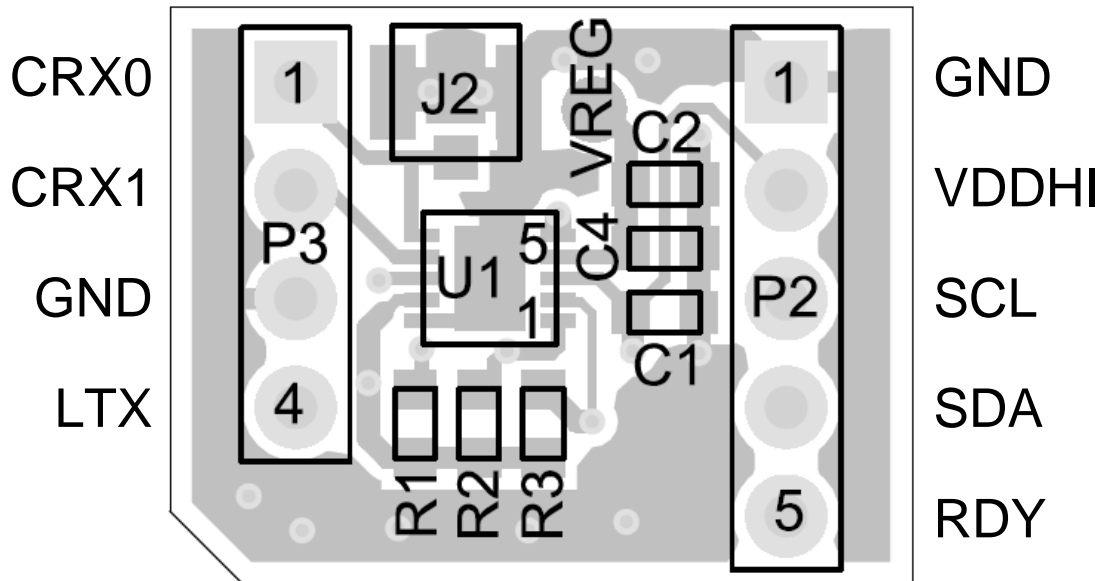




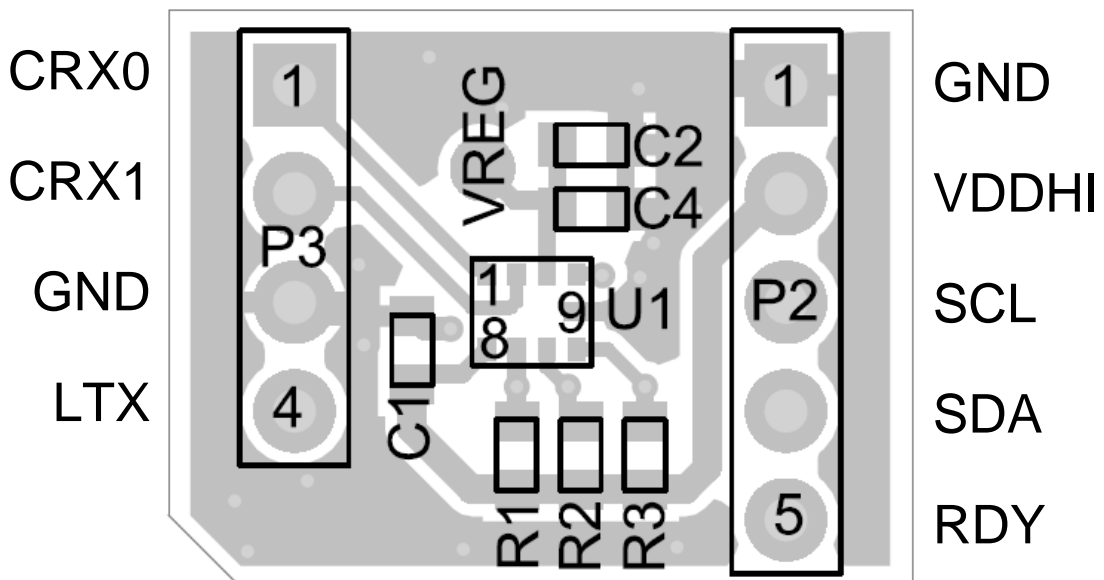
## ProxFusion Pinout Guide

### 1 EV01 – Pinout

#### 1.1 IQS620AEV01 (AZP690A03)

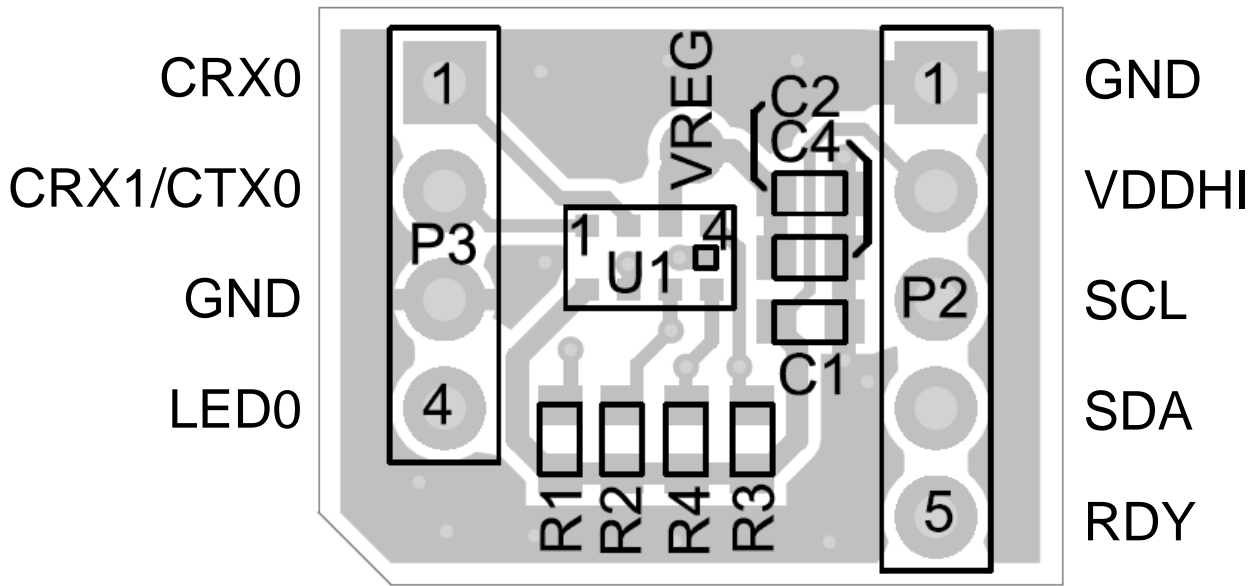


#### 1.2 IQS621EV01 (AZP690D02)

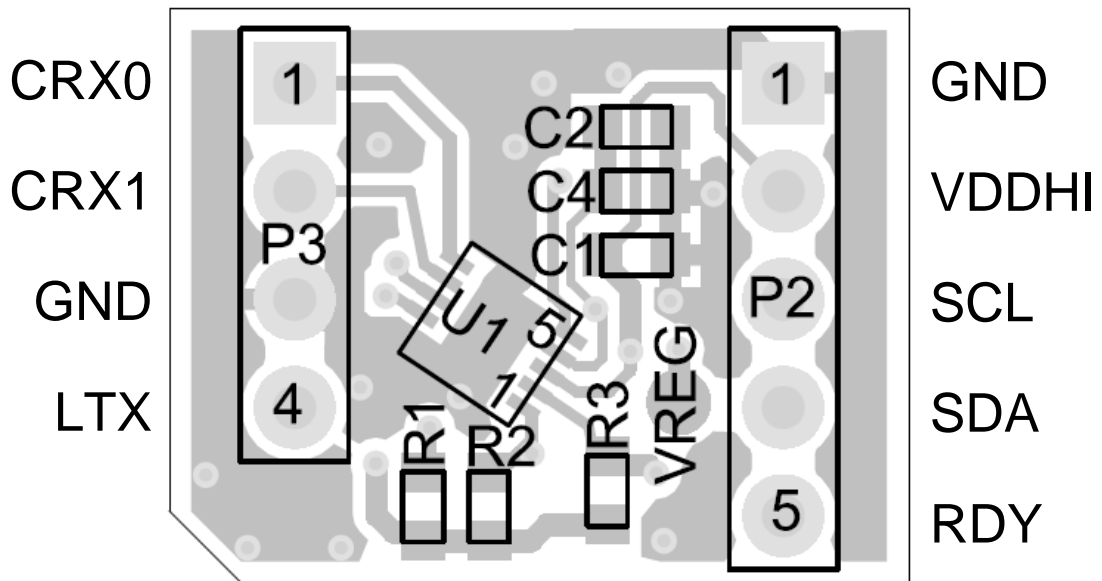




### 1.3 IQS622EV01 (AZP690B02)

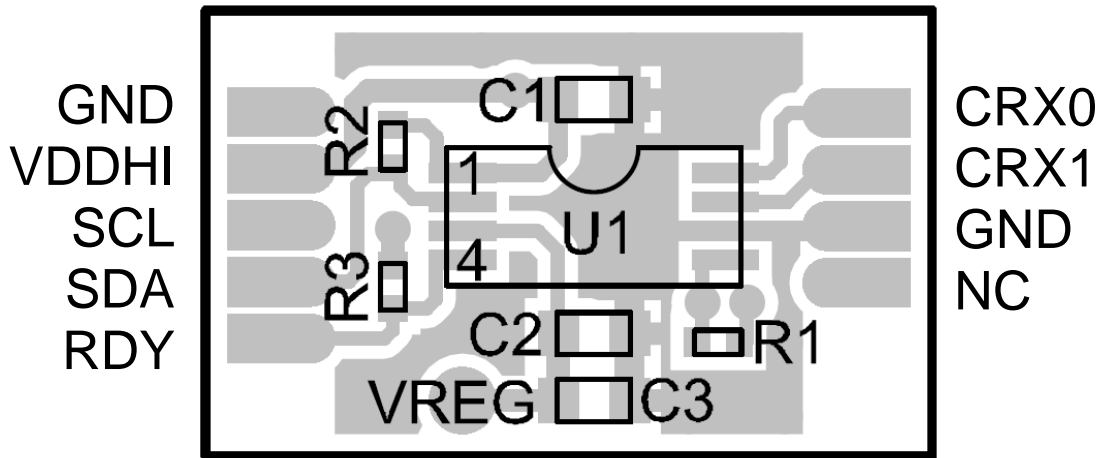


### 1.4 IQS624EV01 (AZP690E02)





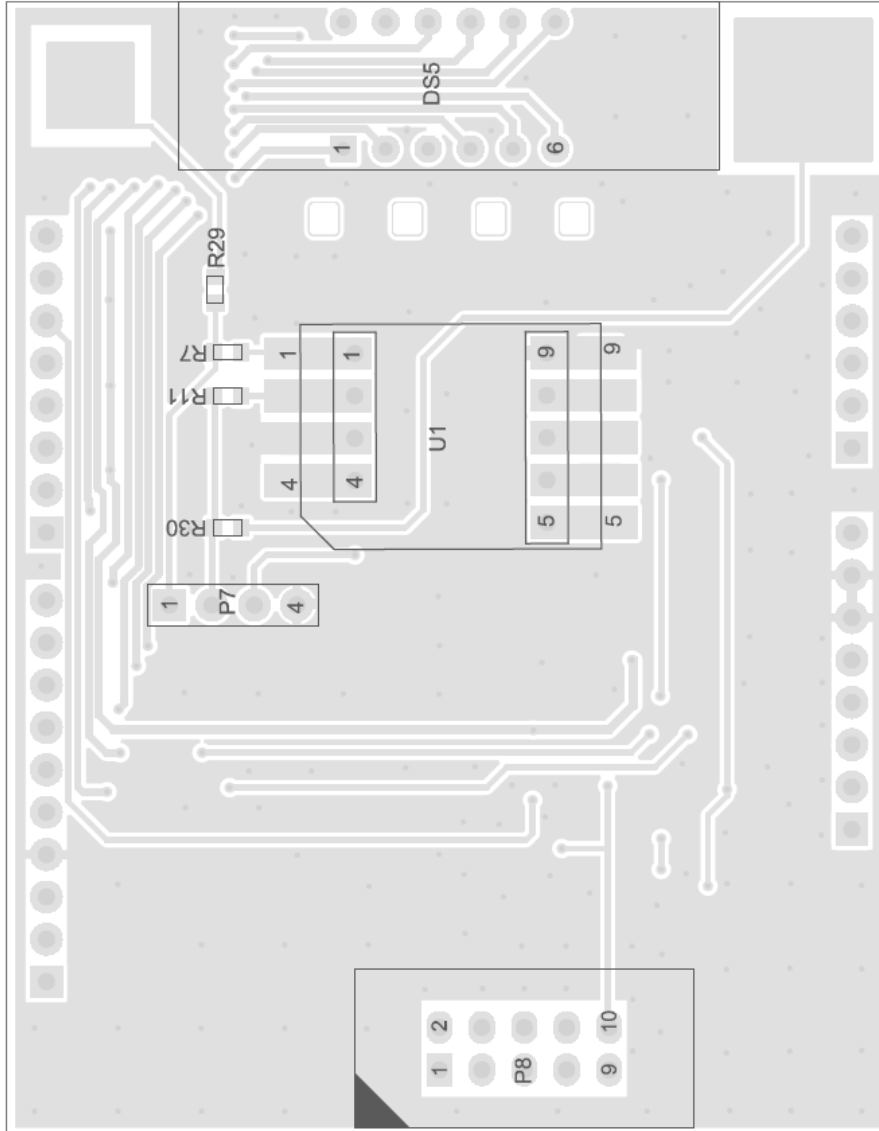
### 1.5 IQS625EV01 (AZP951A03)





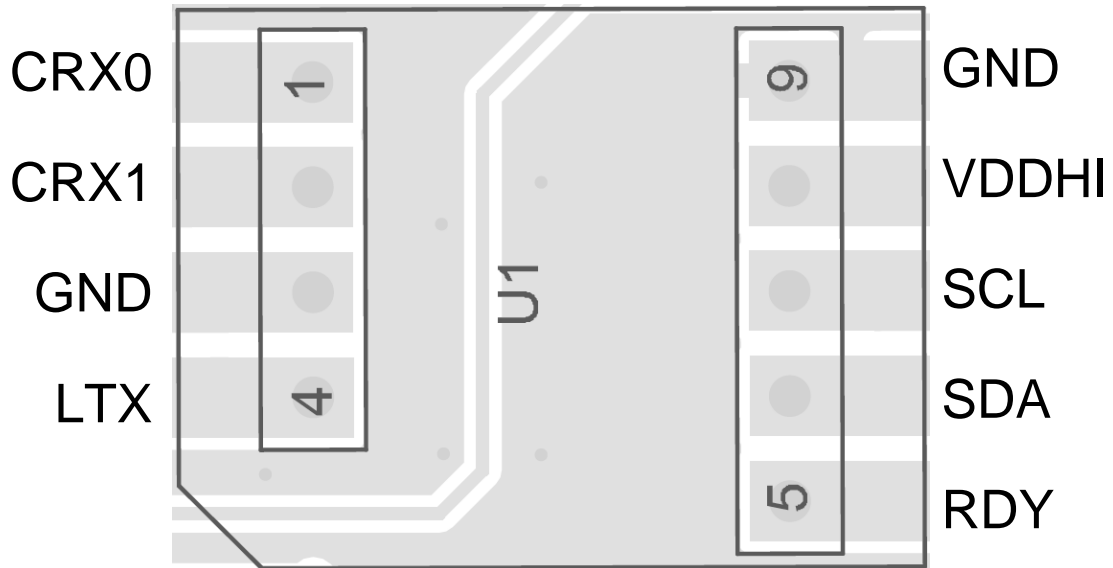
## 2 EV02 – Pinout

### 2.1 IQS62x Board (AZP694A03)





### 2.1.1 U1 Stamp Header

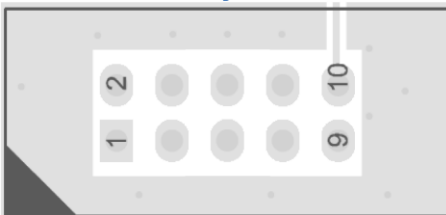


### 2.1.2 P7 4-way pin header for example plug-in coil



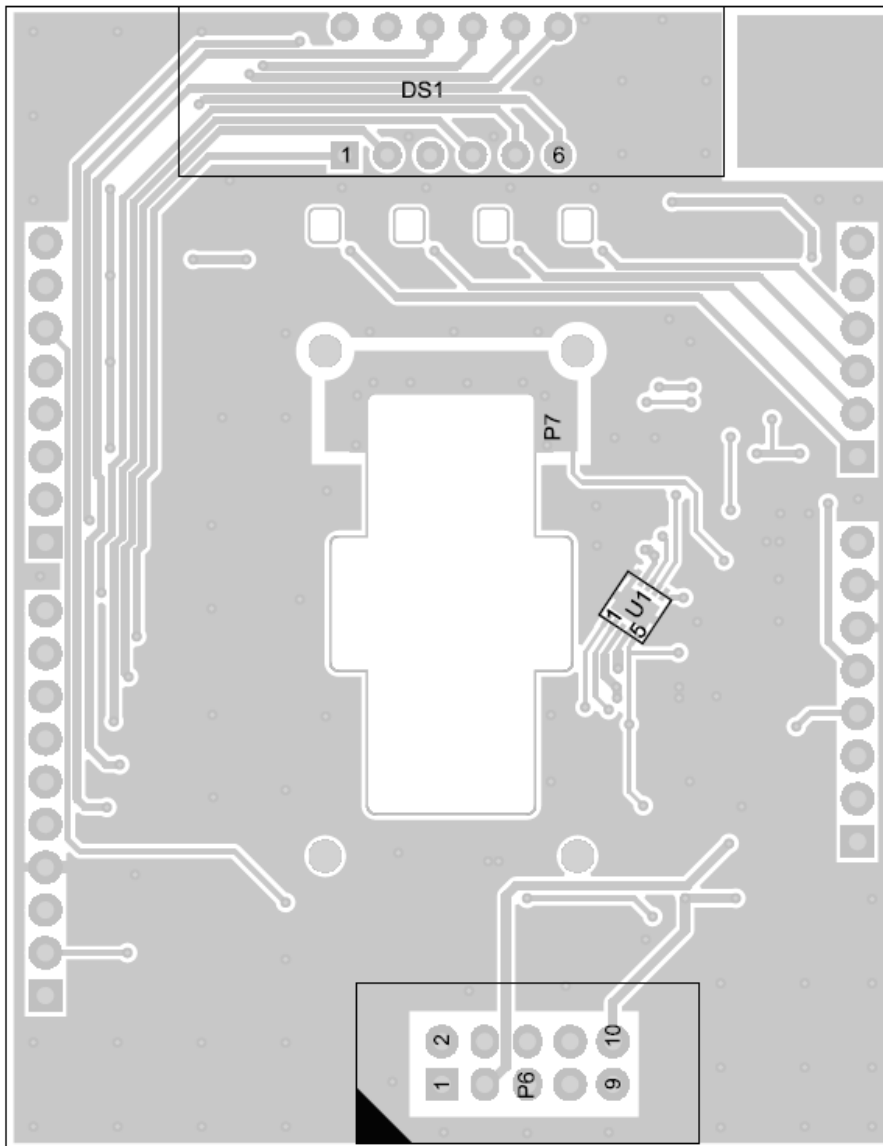
- 1 – CRX0
- 2 – CRX1
- 3 – LTX
- 4 – GND

### 2.1.3 P8 10-way box header

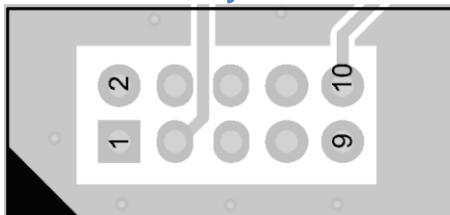


- 1 – GND
- 3 – VDDHI
- 7 – SDA
- 9 – SCL
- 10 – RDY

## 2.2 IQS624 Board (AZP675E03)



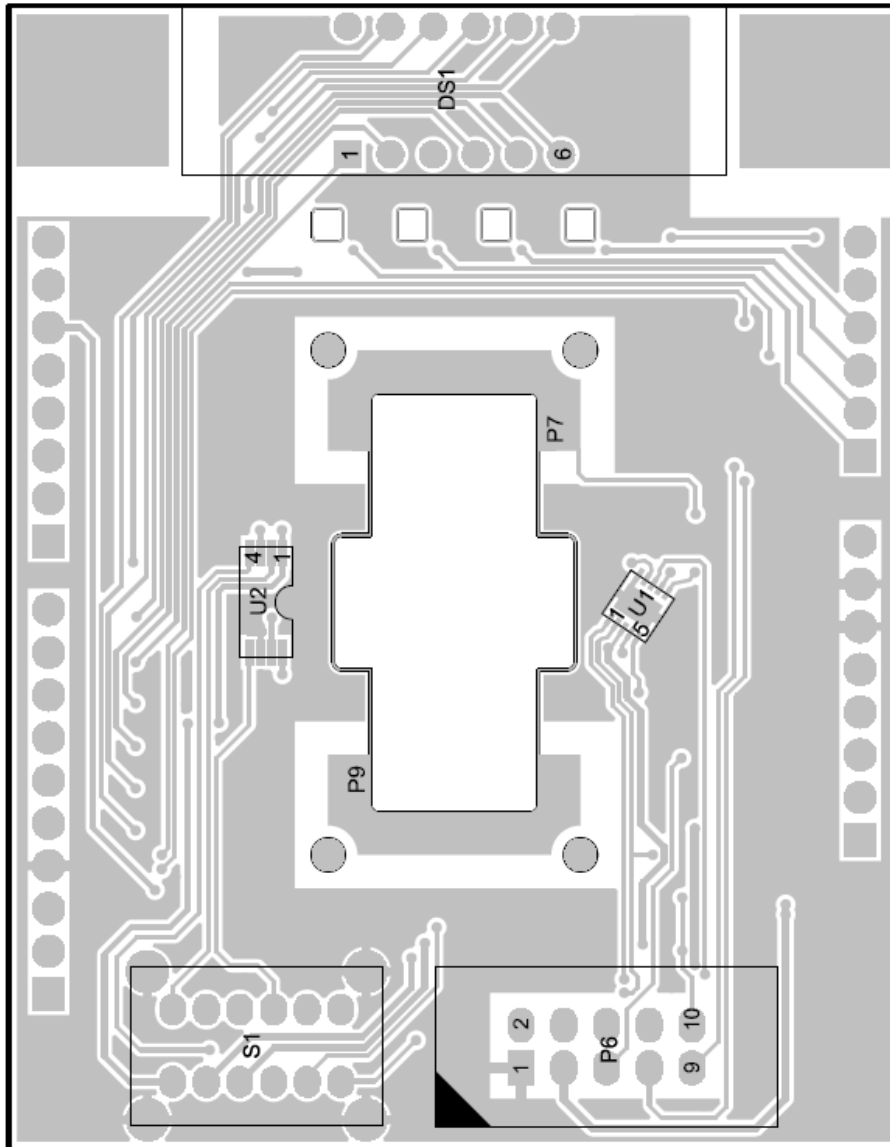
### 2.2.1 P6 10-way box header



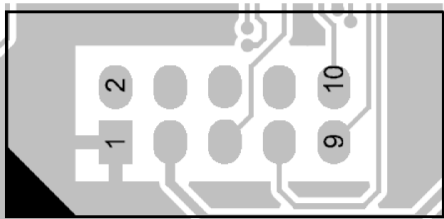
- 1 – GND
- 3 – VDDHI
- 7 – SDA
- 9 – SCL
- 10 – RDY



## 2.3 IQS624/5 Board (AZP948A02)



### 2.3.1 P6 10-way box header



- 1 – GND
- 3 – VDDHI
- 7 – SDA
- 9 – SCL
- 10 – RDY