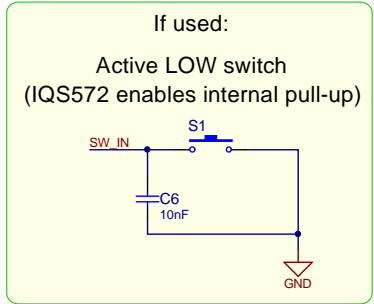
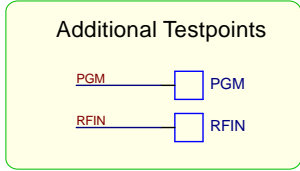
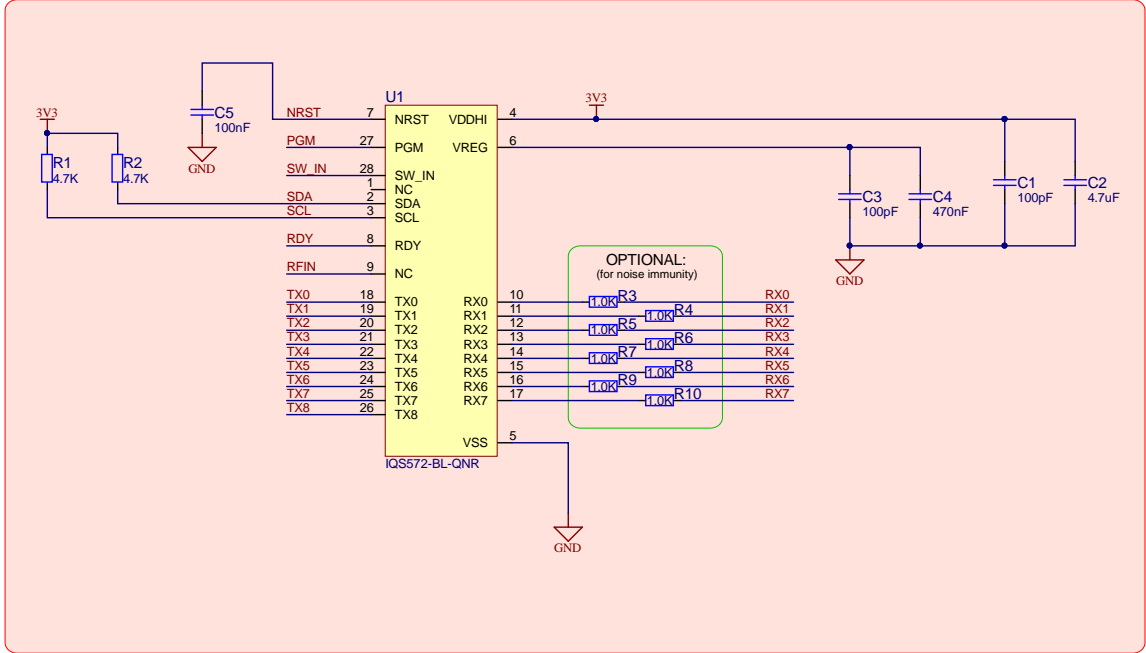
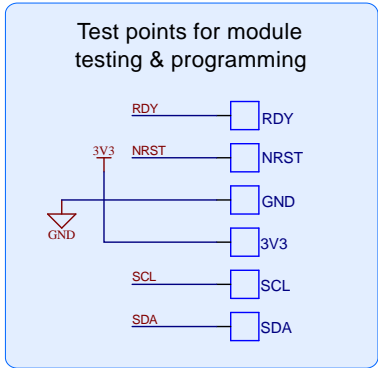
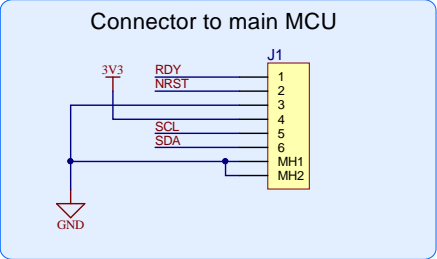
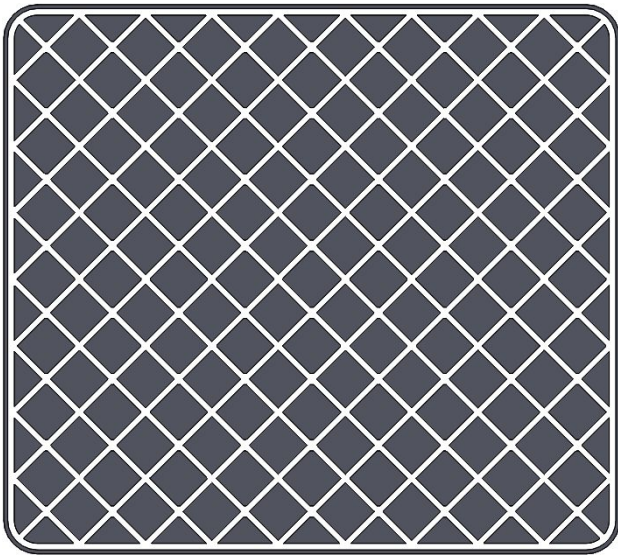


© 2019 THIS DOCUMENT IS THE PROPERTY OF AZOTEQ, AND MAY NOT BE COPIED OR USED FOR ANY PURPOSE OTHER THAN THAT FOR WHICH IT IS SUPPLIED WITHOUT PERMISSION IN WRITING FROM THE OWNER.



Columns allocated to Rx's



Rows allocated to Tx's

To optimise routing, Rx's can be assigned in any order, and then mapped in firmware.

In the same way the Tx order can be changed to optimise routing.

DATESTAMP OF THIS PRINT:
2019/05/03 11:52:23 AM

-	-	-	DESIGNER
-	-	-	RS
-	-	-	DRAWN
-	-	-	RS
REV	DATE	ECP #	



PCB FILENAME: None
SCH FILENAME: IQS572 Reference Schematic_SCH1_00A.SchDoc

TITLE:	IQS572 Reference Schematic
DOCUMENT:	-

SHEET:	1 OF 1
REVISION:	00A