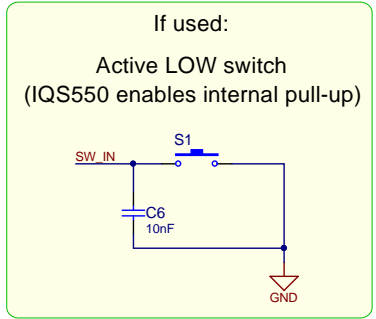
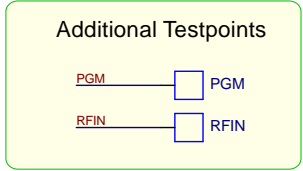
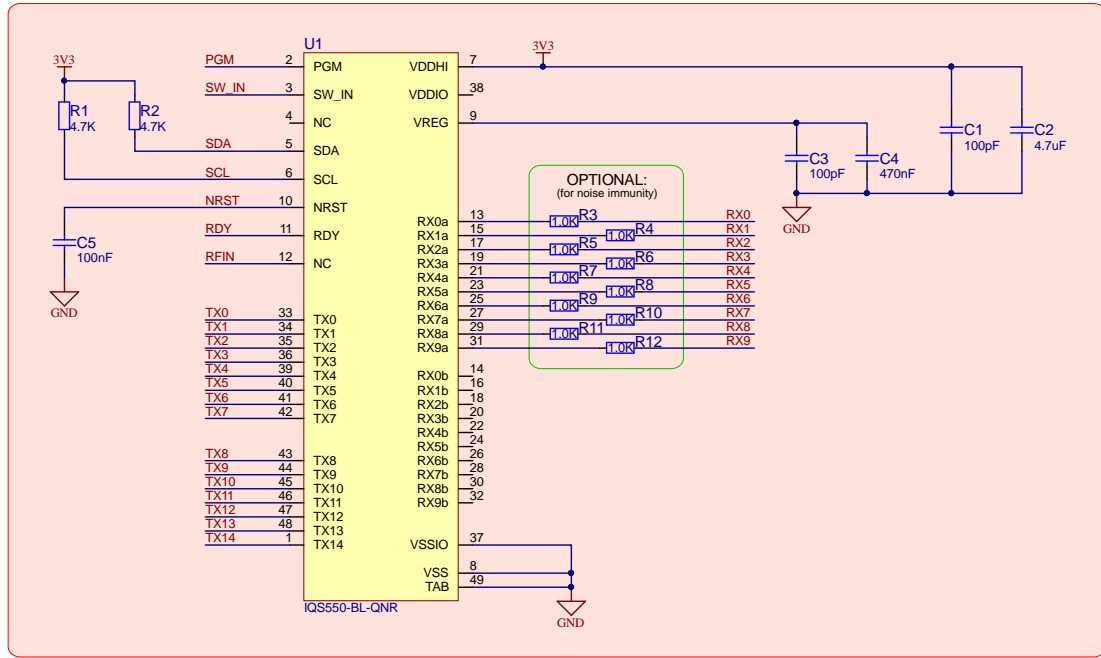
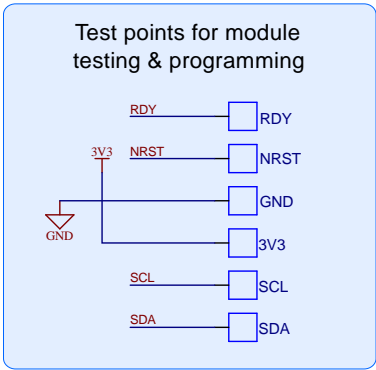
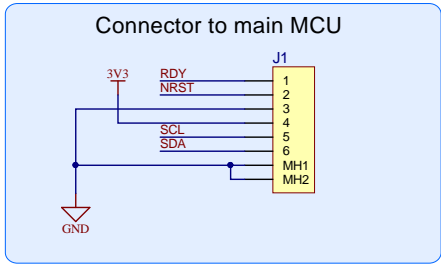
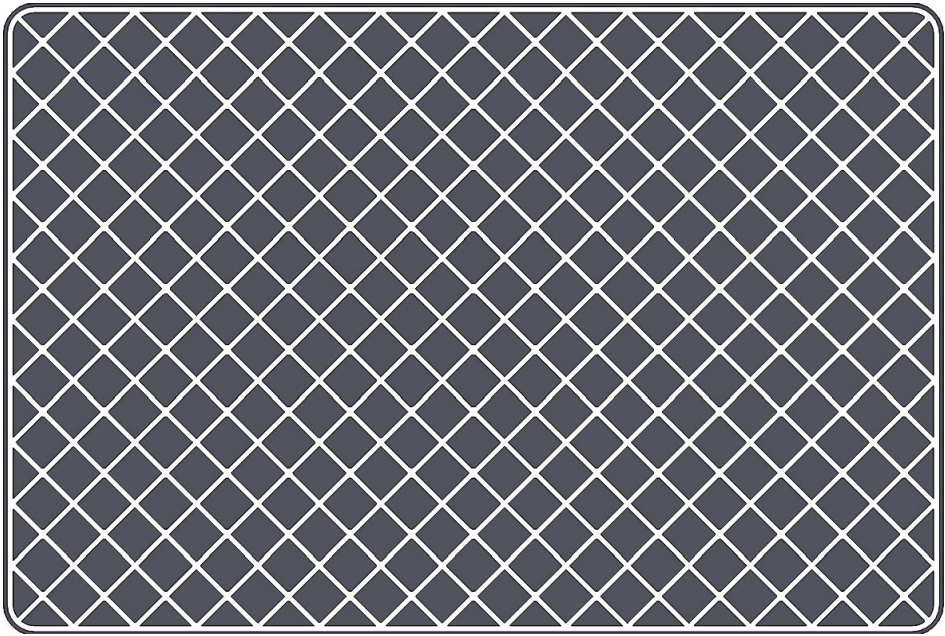


© 2019 THIS DOCUMENT IS THE PROPERTY OF AZOTEQ, AND MAY NOT BE COPIED OR USED FOR ANY PURPOSE OTHER THAN THAT FOR WHICH IT IS SUPPLIED WITHOUT PERMISSION IN WRITING FROM THE OWNER.



Columns allocated to Tx



Rows allocated to Rx

To optimise routing, Rxs can be assigned in any order, and then mapped in firmware.

In the same way the Tx order can be changed to optimise routing.