



## IQS622EV02 Overview

Combination sensor with ambient light sensing (ALS), active IR, Hall-effect and two-channel capacitive proximity/touch sensor

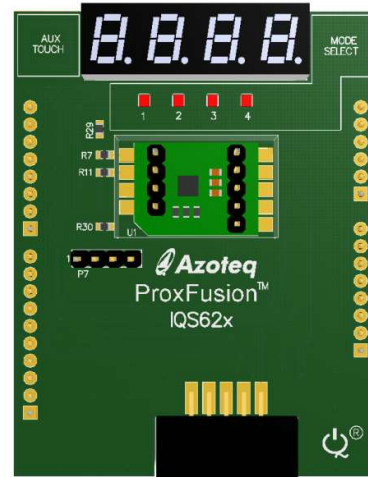
The IQS622 ProxFusion® IC is a multifunctional ambient light sensing (ALS), active IR, capacitance & Hall-effect sensor designed for applications where any or all of the technologies may be required. The IQS622 is an ultra-low power solution designed for short or long term activations through any of the sensing channels. The IQS622 is fully I<sup>2</sup>C compatible and can be configured to operate on an event mode basis to wake-up on dedicated sensors.

### EV-Kit Overview

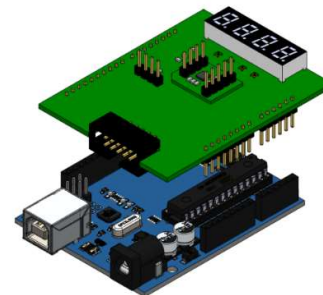
- Hall-effect sensing
- Capacitive sensing
- Ambient light sensing (ALS)
- Active IR proximity sensor

### Evaluation Modes

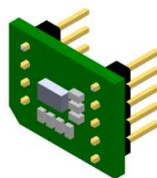
- Connect to PC GUI via CT210A USB Dongle<sup>1</sup>
- When connected to CT210A use 3.3V (default) only<sup>2</sup>
  - Raw info displayed in GUI
- Please ensure Shield Board<sup>3</sup> is unplugged from Arduino Uno / ST Nucleo when connected to CT210A
- Plug into Arduino Uno<sup>1</sup> or ST Nucleo<sup>1</sup>
  - Arduino operation described in IQS622EV03 user guide.
  - Sensor info displayed on 7-segment
  - Open source code for custom development
- Embed the small module PCB (stamp) into custom design & interface to host MCU (Additional modules sold separately as IQS622EV01)



**IQS622EV02 Shield Board**



**IQS622 Shield + Arduino Uno<sup>1</sup>**



**Detachable Stamp Module**

### Applications

- Laptops, Notebooks, Mobile phones, Tablets
- On-ear detection
- Screen brightness adjust
- Keyboard backlight adjust
- Tablets
- Smart cover detection and orientation
- SAR
- Touch volumes controls

<sup>1</sup> Sold separately

<sup>2</sup> 1.8V not supported on Shield Board due to diode protection

<sup>3</sup> Shield Board does not support programming