



IQS621EV04 Overview

Combination sensor with ambient light sensing (ALS), capacitive proximity/touch, Hall-effect sensor & inductive sensing capabilities

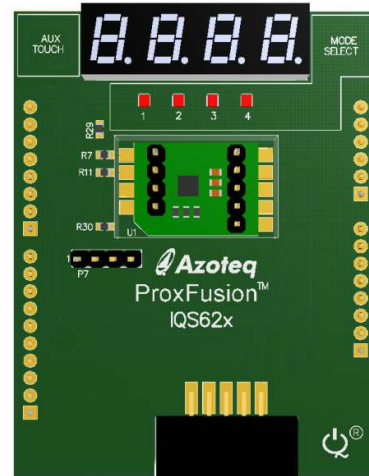
The IQS621 ProxFusion® IC is a multifunctional, ambient light sensing (ALS), capacitance, Hall-effect & inductance sensor designed for applications where any or all of the technologies may be required. The IQS621 is an ultra-low power solution designed for short or long term activations through any of the sensing channels. The IQS621 is fully I²C compatible.

EV-Kit Overview

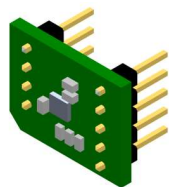
- Inductive sensing
- Hall-effect sensing
- Capacitive sensing
- Ambient light sensing (ALS)

Evaluation Modes

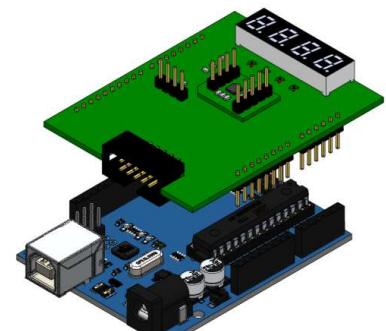
- Connect to PC GUI via CT210A USB Dongle (included in the EV04 Kit)
- When connected to CT210A use 3.3V (default) only²
 - Raw info displayed in GUI
- Please ensure Shield Board³ is unplugged from Arduino Uno / ST Nucleo when connected to CT210A
- Plug into Arduino Uno¹ or ST Nucleo¹
 - Sensor info displayed on 7-segment
 - Open source code for custom development
- Embed the small module PCB (stamp) into custom design & interface to host MCU (Additional modules sold separately as IQS621EV01)



IQS621EV04 Shield Board



Detachable Stamp Module



IQS621 Shield + Arduino Uno¹

Applications

- Mobile electronics (phones/tablets)
- Home automation & lighting control
- White goods and appliances
- Wearable devices

- Human Interface Devices
- Aftermarket automotive⁴

¹ Sold separately

² 1.8V not supported on Shield Board due to diode protection

³ Shield Board does not support programming

⁴ The part is not automotive qualified