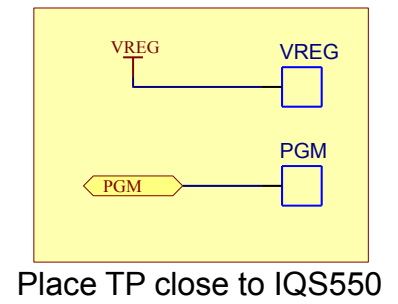
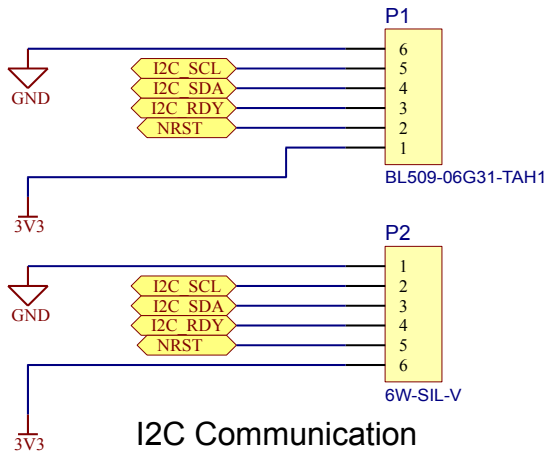
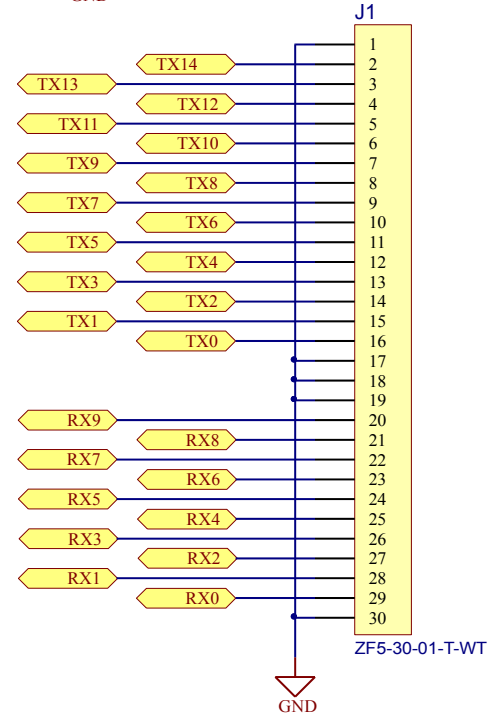
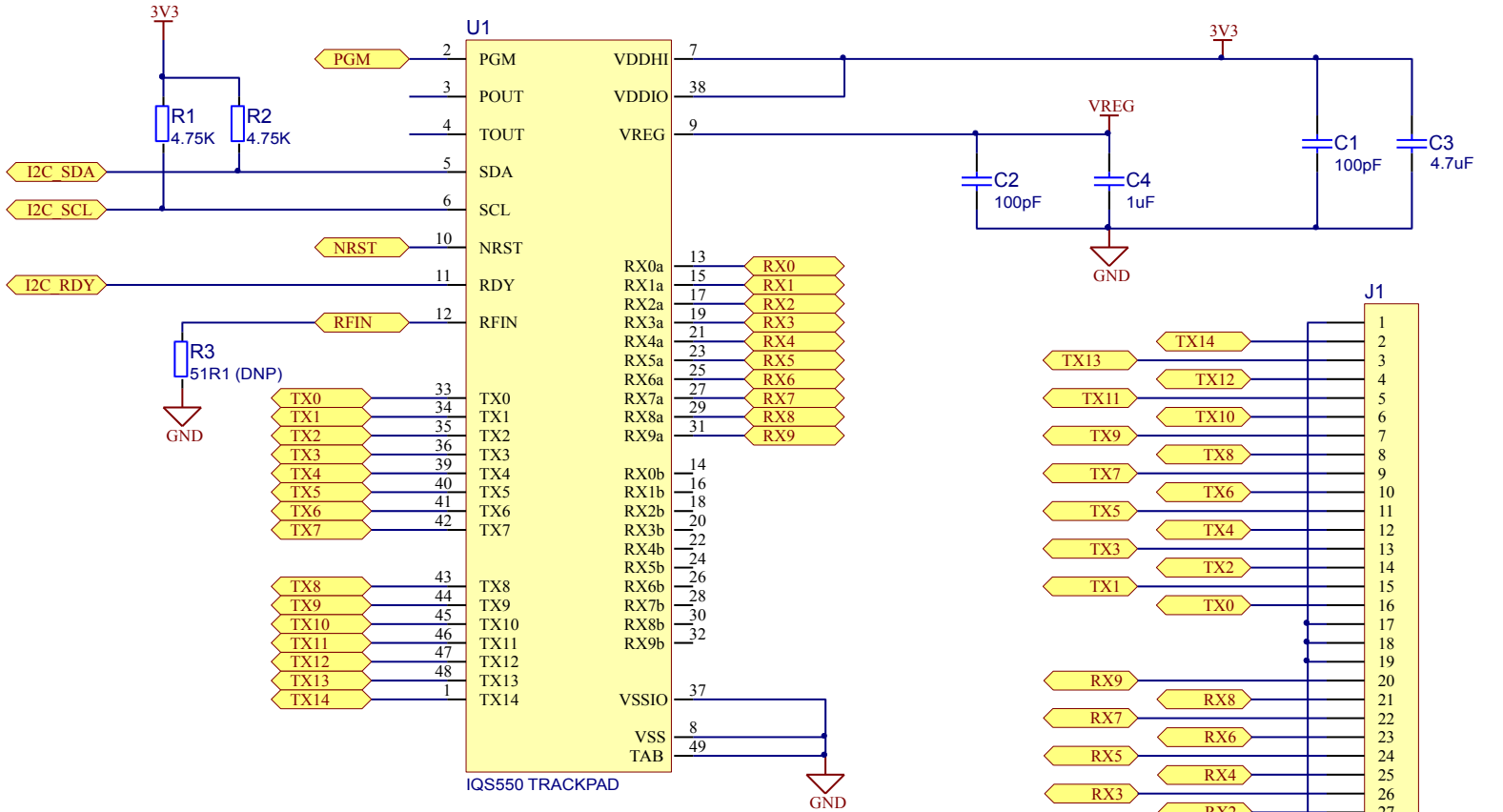


IQS550-TS43 module schematic



Place TP close to IQS550