



IQS243 Reference design IQ Switch® - ProxSense™ Series

Connect to sense buttons
(See Appnote: AZD008 for button design guidelines)

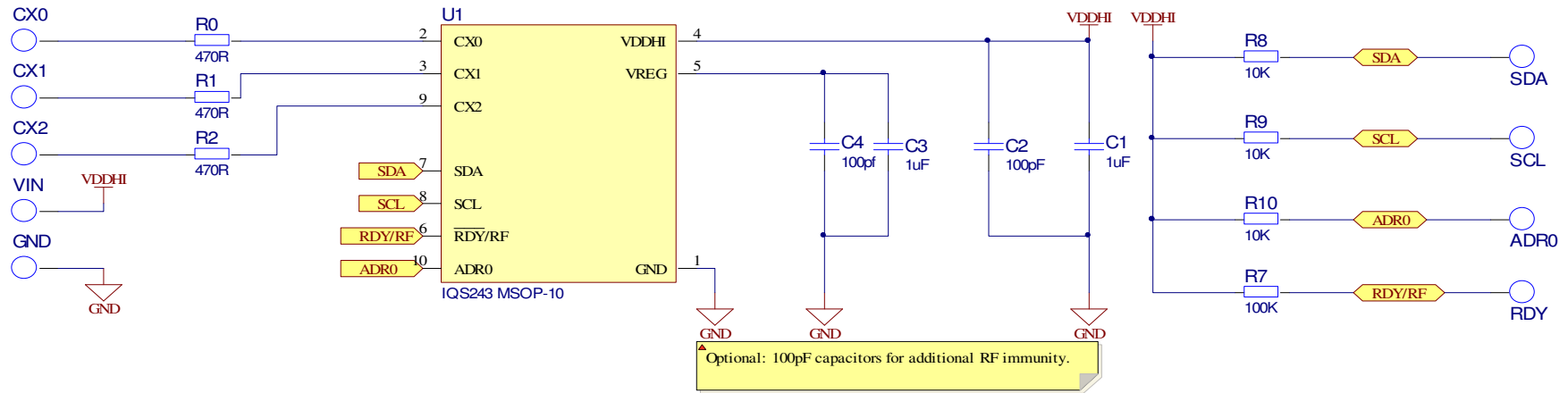


Figure 2 IQS243 Schematic Diagram

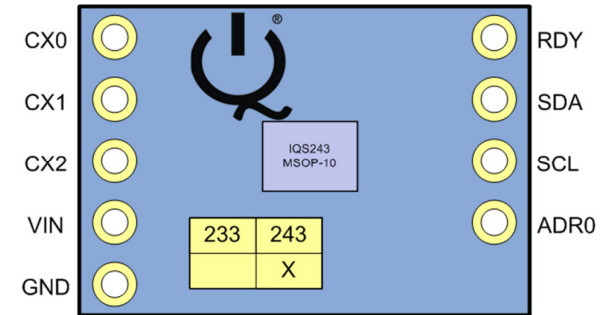


Figure 1 IQS243 Module Board – AZP254A01