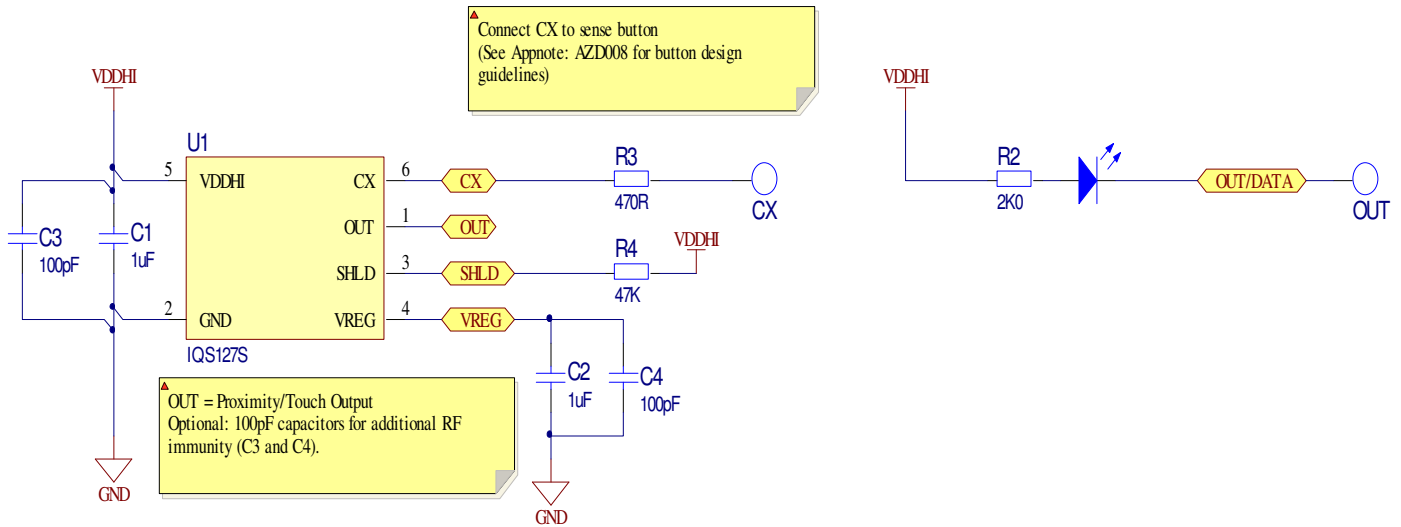


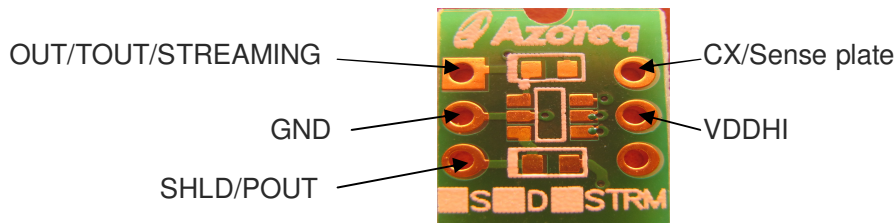


IQS127S on AZP112A05 Connection Guide

1 IQS127S on AZP112A05



2 PCboard (AZP112A05)



3 CT-Tool Connections

Programming Connections	CT200 Pin
AZP112A05	
VDDHI	3
GND	1
SHLD/POUT	5
CX	6
OUT/TOUT/STREAMING	10

